


Our automatic squid jigging/fishing machine proudly received the winner of the "Robot of the Year Award" 2006, Excellence Award



An intelligent electric reel that learns fishing techniques.

Fully Automatic Fishing Machine

High Quality Automatic Fishing Machine working in DC24V

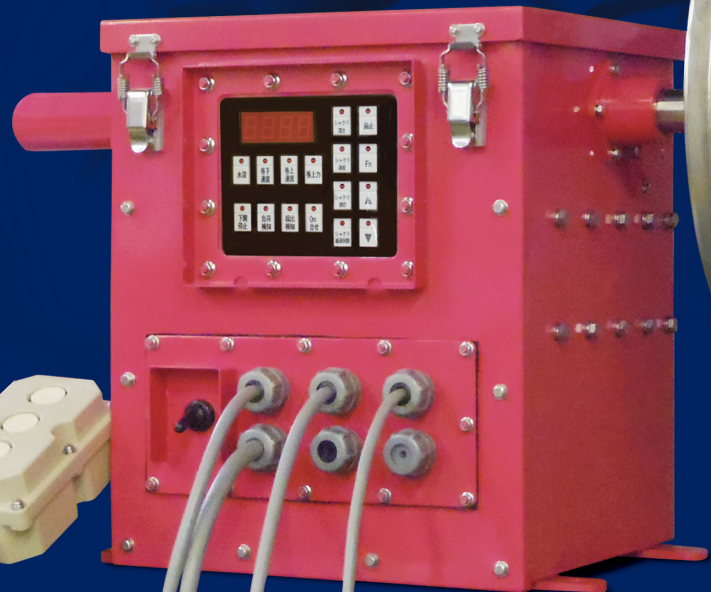
DR-Z



Patented in Japan

(Patent Pending in some parts)

The DR-Z, a multipurpose fully automatic fish-fishing machine that perfectly replicates the solid technology of fishers, is now available. The definitive machine for tuna and many other species of fish.



"From Hakodate to the World" - Creating Ocean-Friendly Business

Towa Denki Seisakusho, Inc.



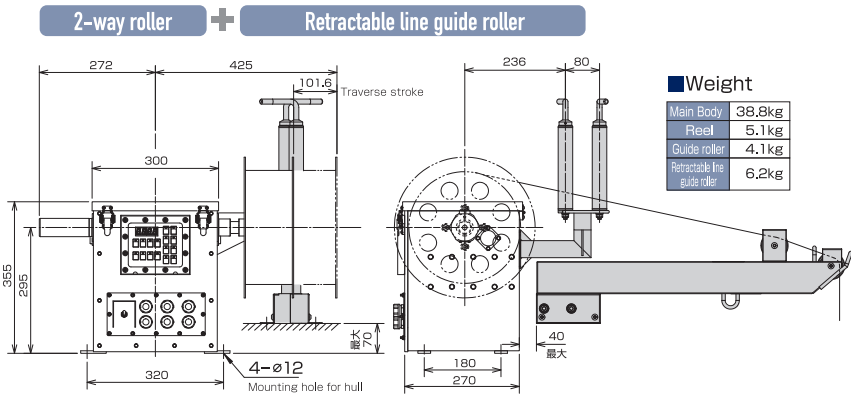
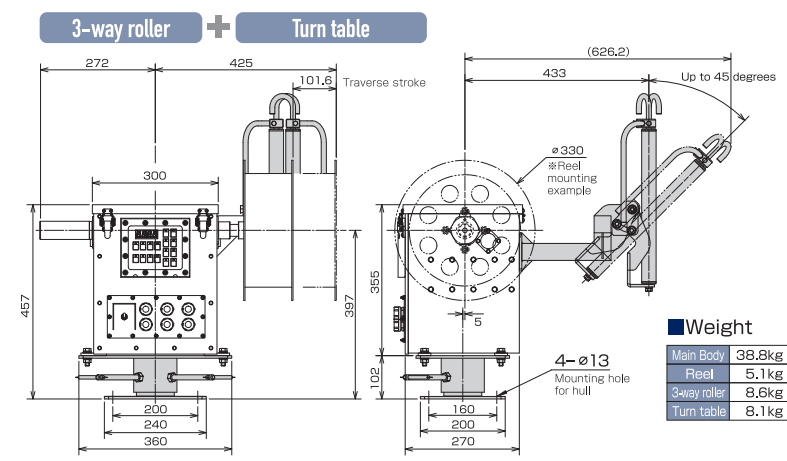
DR-Z fishes as delicately as a human would do more efficiently.
DR-Z is a Japanese fishing machine that replicates the delicate human technical skills

The new "winding down assist" function drastically reduces backlash. Accurately jiggging a lure/ bait and winding-up automatically. DR-Z replaces what humans do and works long hours without fatigue. Our valued customers with DR-Z can catch fish more efficiently than before with fewer crew members.



Winding down assist function Even with light weights, the line does not sag as it drops smoothly	Exquisite tensile force and flexible interaction With highly accurate torque control, stress on the fish is dramatically reduced. By reducing damages to the fish, the fish value will increase.	
Accurate water depth measuring function	Pre-set function	Amazing bite detection system

External dimensions



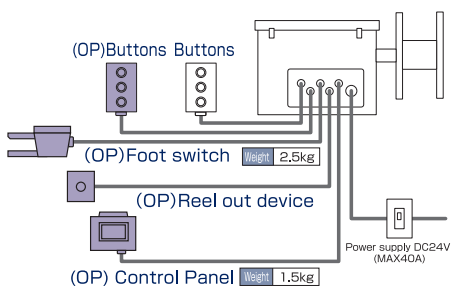
Specifications

External breaker	DC24V 40A or higher
動作電圧	DC20~29V
Electric current	Rated 15A MAX Approx. 20A
Rated rotation speed	60 rpm
Rated torque	29Nm

Options for simple and easy operation

Foot switch/ Device for efficient reel-out/ Alarm output/ Winding up reel/ Push button switches are available.

An example of option connections



Make sure to install a breaker of 2P 24VDC 60A or more.

©When the display remote device is not connected to MR400S, seal the cable hole in the cord-control panel and waterproof it.©In case of not connecting option cables like a control panel to DR-Z, seal the cable holes on DR-Z and waterproof them.

Manufactured by:

HAMADE <http://www.towa-denki.co.jp>
Towa Denki Seisakusho, Inc.

Distributor or Agent:

- | | |
|-------------------------------|---|
| Hakodate Head Office | 6-29 Yoshikawa-cho, Hakodate, Hokkaido, 040-0077, JAPAN
TEL: +81-138-41-4410 FAX: +81-138-41-2867 |
| Oohata Branch | 187 Minato-mura, Oohata, Mutsu-Aomori, 039-4401, JAPAN
TEL: +81-175-34-4400 FAX: +81-175-34-4400 |
| Hachinohe Sales Branch | 3-8-14 Shinminato, Hachinohe, Aomori, 031-0811, JAPAN
TEL: +81-178-34-6134 FAX: +81-178-34-6106 |
| Ogi Office | 18-70-2 Ogi, Noto-Machi, Housu-Gun, Ishikawa, 927-0553, JAPAN
TEL: 0768-74-1138 FAX: 0768-74-1138 |
| Oshamanbe Sales Branch | 6-14 Oohama, Oshamanbe, Yamakoshi-Gun, Hokkaido, 049-3511, JAPAN
TEL: 01377-2-5886 FAX: 01377-2-3282 |

※Specifications are subject to change without notice.