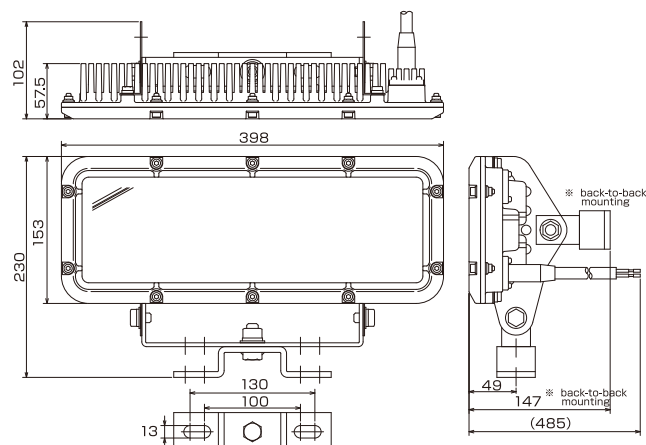
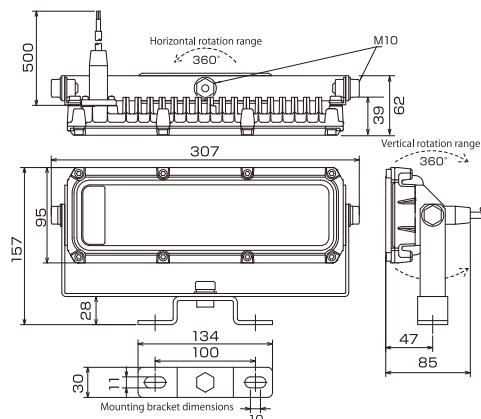


External dimensions

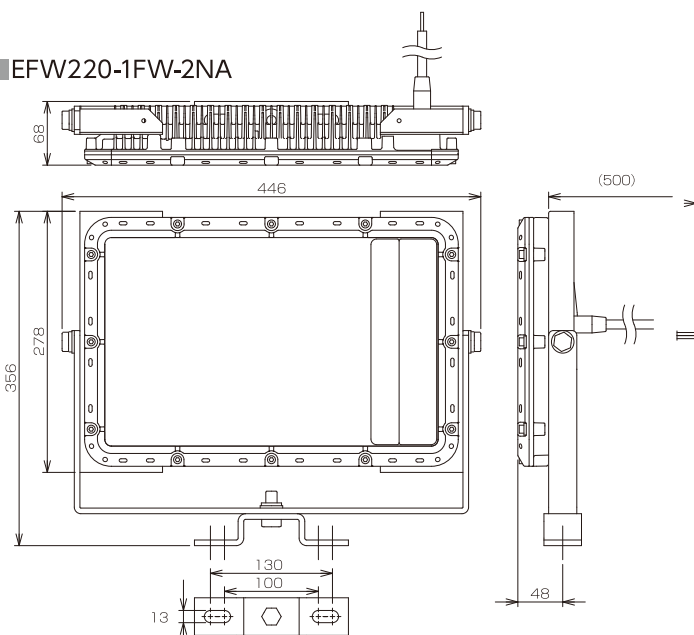
■ EFX24-1NA



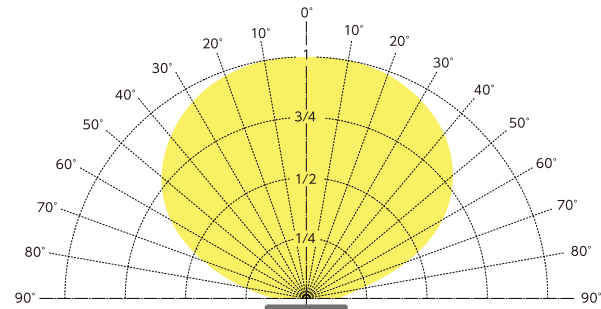
■ NT40-1NA



■ EFW220-1FW-2NA



Light distribution characteristics



specifications

Model	EFX24-1NA	EFX100	EFX220	EFW24	EFW100	EFW220	NT40
Rated power consumption	100W			200W			40W
External Dimensions	230×398×102			356×446×68			157×307×62
Rated input voltage	24VDC	Single-phase 100VAC	Single-phase 220VAC	24VDC	Single-phase 100VAC	Single-phase 220VAC	24VDC
Total luminous flux	Approx.15,000 lm			Approx.30,000 lm			Approx.6,000 lm
Weight	3.4kg			6.4kg			1.4kg

Model	EFX24-1TA	EFX24-1PA	NT40-1PA
Rated power consumption	Discontinued	100W	40W
External Dimensions	303×153	260×400×154	157×311×97
Rated input voltage	Single-phase 100VAC / Single-phase 220VAC	Single-phase 100VAC / Single-phase 220VAC	
Total luminous flux	Approx. 6,000 lm	Approx.15,000 lm	Approx.6,000 lm
Weight	6.3kg	6.0kg	2.4kg

- Beam angle/120° ■ Ingress Protection: IP66 ■ LED chip life expectancy/40,000h
- Operating temperature-20°C ~ +40°C / -4°F ~ +104°F
- Body material/ Aluminum alloy ■ Cover material/ Polycarbonate
- LED chip manufacturer/NICHIA CORPORATION
- Noise suppression: Japan VCCI Standard CLASS B compliant

Agency

Manufactured by:

HAMADE <http://www.towa-denki.co.jp>
Towa Denki Seisakusho, Inc.

Hakodate Head Office 6-29 Yoshikawa-cho, Hakodate, Hokkaido, 040-0077, JAPAN
 TEL: +81-138-41-4410 FAX: +81-138-41-2867

Oohata Branch 187 Minato-mura, Oohata, Mutsu-Aomori, 039-4401, JAPAN
 TEL: +81-175-34-4400 FAX: +81-175-34-4400

Hachinohe Sales Branch 3-8-14 Shinminato, Hachinohe, Aomori, 031-0811, JAPAN
 TEL: +81-178-34-6134 FAX: +81-178-34-6106

Ogi Office 18-70-2 Ogi, Noto-Machi, Housu-Gun, Ishikawa, 927-0553, JAPAN
 TEL: 0768-74-1138 FAX: 0768-74-1138

Oshamanbe Sales Branch 6-14 Oohama, Oshamanbe, Yamakoshi-Gun, Hokkaido, 049-3511, JAPAN
 TEL: 01377-2-5886 FAX: 01377-2-3282

※Please note that we may change the specification or the color for improvement without prior notice

The High End Model with confidence

LED work light

High power LED lighting series

EF series · NT40

Equipped with Japan-made high-efficiency LED chips. 100W 15,000lm brightness with a die-cast aluminum body that is waterproof, corrosion resistant, and durable. Excellent for on-board work lights.



From Hakodate to the world ~ aiming to provide an ocean-friendly work environment~

Towa Denki Seisakusho, Inc.

HAMADE
300E



Energy-efficient and economical

The more you use, the more you save!

High visibility

The increased brightness greatly improves the visibility!

New and Compact Design

Compact, lightweight, and thin new design saves the space!

Long-lasting

Long life, dustproof and waterproof (IP66), salt damage resistance!

Environmentally friendly

The replacement frequency of consumable light bulbs has been drastically reduced!

100W

Versatile and easy-to-use

- EFX 24** / **DC 24VDC**
- EFX100** / **Single phase 100VAC Sine wave**
- EFX220** / **Single phase 220VAC Sine wave**

Fits just right on the bridge, mast, and various other spots on vessels.
The most convenient version for many power supply environments.



40W

Space and energy saving

- NT40** / **DC 24VDC**

Lightweight model that minimizes the burden on vessels.



200W

Outstanding brightness improves work efficiency.

- EFW 24** / **DC 24VDC**
- EFW 100** / **Single phase 100VAC Sine wave**
- EFW 220** / **Single phase 220VAC Sine wave**

Optimal for masts of mid-size vessels. Versatile power supply environment is the choice.



Benefits of replacing incandescent lamps with LEDs

Equivalent or brighter than conventional incandescent lamps at about 1/5 of the rated power consumption. In addition, the life expectancy is increased about 3 times.

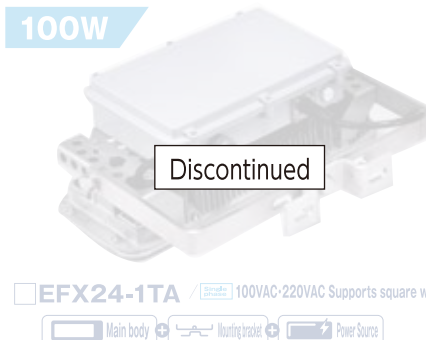
■ Comparison of energy savings LED lighting is friendly to both operating costs and the environment

	Incandescent lamp	LED light
Rated power consumption	500W	100W
Total luminous flux	Approx. 5,000lm	Approx. 15,000lm
Estimated Life expectancy	12,000h	40,000h (LED chips)

AC/DC power integrated unit

The unit enables use with AC/DC input by attaching a dedicated power supply box to the main body.

[Attachable Models]
■ EFX series ■ NT40



With diffusion cover

Diffusion cover enabling to widen the beam angle up to 180 degrees. Onboard operations are much easier.

[Attachable Models]
■ EFXseries ■ NT40
※NT40 is a flat type.

