

Compact & Simple

Automatic

scallop shell driller

HDA-1

Patented in Japan

The well-reputed "automatic scallop shell arranging mechanism" of the HDA (for 2 shells) series has finally been launched for single shell. Three models are available according to the size of baby scallops.



From Hakodate to the world ~ aiming to provide an ocean-friendly work environment~

Towa Denki Seisakusho, Inc.



The good evaluated "automatic scallop shell arranging mechanism" of the HDA is featured.

搭載

All that is required is to place the scallop one by one, and the machine automatically "arranges, conveys, positions, holds, and drills" the scallops. Anyone can easily process the most labor-intensive drilling work. Additionally, the hole position is highly accurate, which makes the next work process easier and more efficient!



for ease of use and simplicity

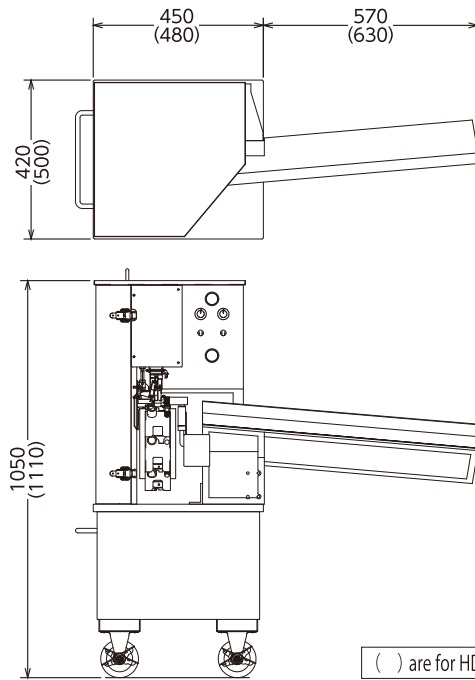
技術

Super fine hole drilling technology

Our original and patented "shell holding mechanism" enables accurate drilling even when the size of baby scallop is uneven or shells get bio-fouling.







External dimensions Outline drawing



() are for HDA-2 and HDA-3

3 models to choose for different sizes of baby scallops.



	[Shell Size] 4.5cm~7.0cm(approx.1.7in~2.7in)
HDA-1	(No.510)
	[Shell Size] 5.5cm~9.0cm(approx.2.1in~3.5in)
HDA-2	(No.520)
	[Shell Size] 7.0cm~11.0cm(approx.2.7in~4.3in)
HDA-3	(No.530)

Specifications Specification

Poewr Supply	100VAC ± 10% 50/60Hz
Power Consumption	approx. 300w
Drill RPM	30,000r.p.m.
Shell size capable of being treated	4.5cm~7.0cm [※]
Processing speed	max. 84 shells/min.
Weight	Approx.80Kg(176lb)

※5.5cm~9.0cm for HDA-2 & 7.0cm~11.1cm for HDA-3.

Agency _____

Manufacturer and distributor
HAMADE <http://www.towa-denki.co.jp>
Towa Denki Seisakusho, Inc.

6-29 Yoshikawa-cho, Hakodate, Hokkaido, 040-0077, JAPAN
 TEL:+81-138-41-4410 FAX:+81-138-41-2867

※Please note that we may change the specification or the color for improvement without prior notice