

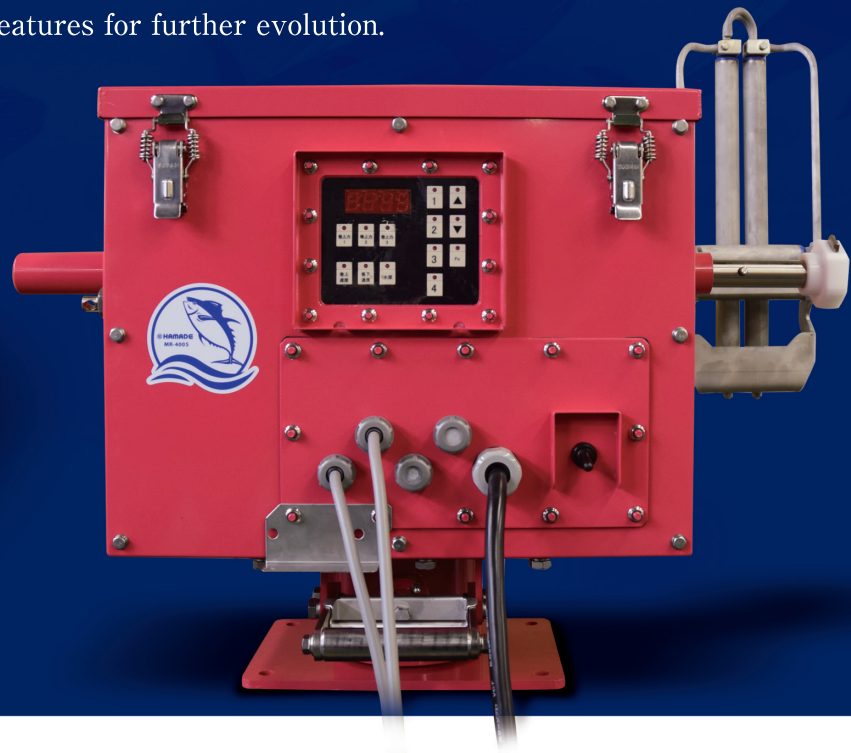
Perfect Replication of Professional Techniques

Automatic Tuna Fishing Machine

MR-400S

Patented in Japan (Patent Pending in some parts)

Automatic tuna fishing machine, now a standard item in the industry in Japan. The new MR-400S is the ultimate tuna fishing machine, with a digital display for easier use and a variety of new features for further evolution.



"From Hakodate to the World" - Creating Ocean-Friendly Business

Towa Denki Seisakusho, Inc.

 HAMADE

210 

MR-400S



Memorizes the fighting patterns as set up! Thoroughly replicates fishing master's techniques.

Memorizes fighting patterns as set up! Thoroughly replicates professional techniques. Invokes a programmed set by one-touch for an immediate response! Digital display of depth, speed, and torque, with convenient measurement counter function to control various settings!



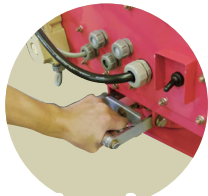
Digital Display

- At a glance, the current water depth, speed, and torque are understandable.
- The combination of settings can be memorized and invoked with a single touch.

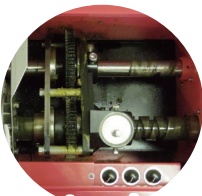


Measurement counter function installed

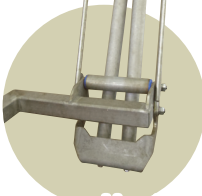
- Controls the speed of winding up and down.
- "Auto break function" automatically stops at 0 m.



Locking mechanism turntable by step motions.

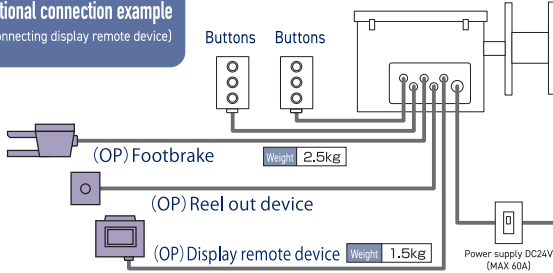


Gear transmission drastically reduces backlash.



Large guide roller with adjustable angle

Optional connection example (connecting display remote device)

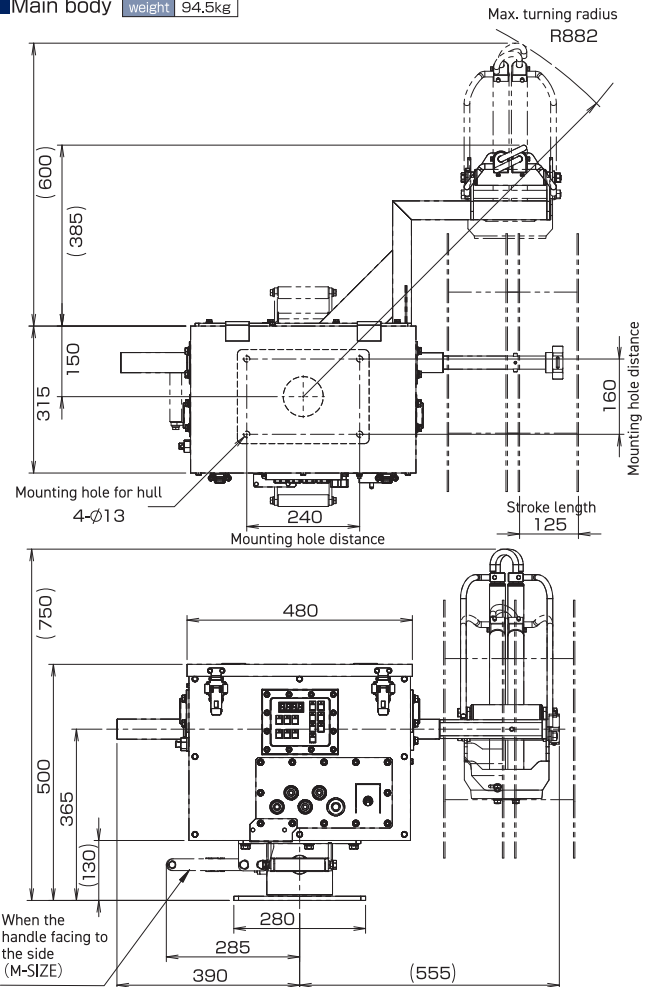


© In case the "Display Remote Device" is connected to the MR400S, the "Remote Control Panel" is not usable at the same time. Note that the cables connecting both devices to the MR400S have different specifications.
© When the display remote device is not connected to MR400S, seal the cable hole in the cord-control panel and waterproof it.

Make sure to install a breaker of 2P 24VDC 60A or more.

External dimensions

■ Main body weight 94.5kg



Specifications

		Specification	
External Installation Breaker	DC24V 60A 以上	Max. winding-up power (at DC24V)*	Torque reduction OFF 33.5kg
Operating voltage	DC18~29V		Torque reduction ON 13.0kg
Electric current	MAX 50A	Continuous operation rating	Motor current 28A 60min
Motor	DC24V 400W (定格 23A)		Motor current 40A 5min

*Winding-up diameter at φ220

Manufactured by:

HAMADE <http://www.towa-denki.co.jp>
Towa Denki Seisakusho, Inc.

Distributor or Agent:

Hakodate Head Office

6-29 Yoshikawa-cho, Hakodate, Hokkaido, 040-0077, JAPAN
TEL: +81-138-41-4410 FAX: +81-138-41-2867

Oohata Branch

187 Minato-mura, Oohata, Mutsu-Aomori, 039-4401, JAPAN
TEL: +81-175-34-4400 FAX: +81-175-34-4400

Hachinohe Sales Branch

3-8-14 Shinminato, Hachinohe, Aomori, 031-0811, JAPAN
TEL: +81-178-34-6134 FAX: +81-178-34-6106

Ogi Office

18-70-2 Ogi, Noto-Machi, Housu-Gun, Ishikawa, 927-0553, JAPAN
TEL: 0768-74-1138 FAX: 0768-74-1138

Oshamanbe Sales Branch

6-14 Oohama, Oshamanbe, Yamakoshi-Gun, Hokkaido, 049-3511, JAPAN
TEL : 01377-2-5886 FAX : 01377-2-3282

※Specifications are subject to change without notice.