

Essential item for scallop aquaculture

Fully Automatic

Ear-hanging Machine

Full automatic scallop MIMITSURI machine

TEC-3

「Drilling a hole」 and 「attaching the scallop to a dropline」 are performed automatically and dramatically improves work efficiency.

A new, more advanced fully automatic ear-hanging machine machine, TEC-3, is now available.



From Hakodate to the world ~ aiming to provide an ocean-friendly work environment~

Towa Denki Seisakusho, Inc.



New system Shell " Holding Mechanism"

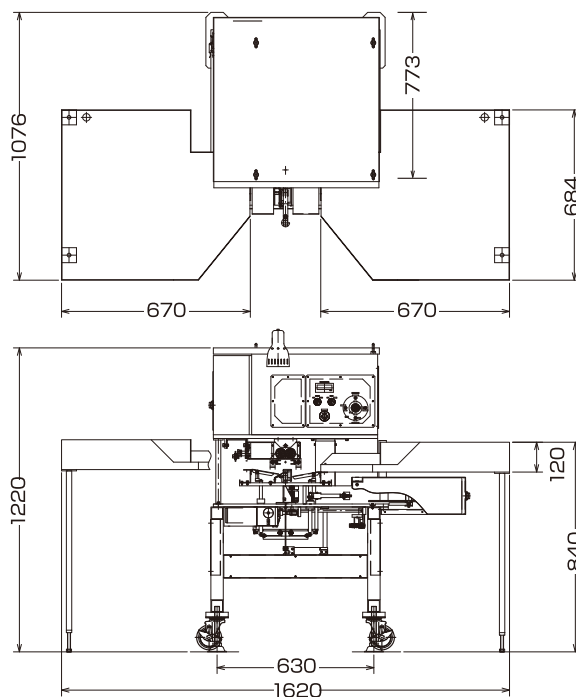
Firm shell holding improves the bunding rate.
Even when bio fouling covers scallop shells, the space around the hinge line allows for smooth drilling and tying, significantly improving work efficiency.

The position of a hole in the ear can be freely adjustable depending on the size of a shell. This allows for a wide range in size from spring (approx. 5 cm) to fall (approx. 11 cm).



External dimensions

Outline drawing



Specifications

Specification

Poewr Suppy	AC100V 1φ 50/60Hz
Power Consumption	500W
Drill RPM	30,000 rpm
Shell size capable of being treated	5cm~11cm
Processing speed	2 sec/ cycle
Weight	Approx.220Kg(485lb)

魅力 (Mikaru) - Charm

HAMADE ORIGINAL

The dedicated age-pin
「loop-pin」astonishingly reduces;

Loading frequencies
激減!

A roll is consisted of consecutive 7,000 pins which last out almost a whole day.

Troubles
激減!

The adoption of belt cartridges that are consecutively connected eliminates pin jamming and other problems.

Amounts of trash
激減!

Sophisticated molding technology has succeeded in simplifying the pin-to-pin connection as much as possible. Waste parts are extremely reduced, which is environmentally friendly.

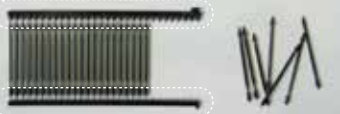
[NEW] Loop-pin

Virtually no waste is produced as each pin is cut and bound one by one.



[Conventional] Robo-pin

The top and bottom frames are trashed and needed to be disposed of.



Manufacturer and distributor

HAMADE <http://www.towa-denki.co.jp>

Towa Denki Seisakusho, Inc.

Hakodate Head Office

6-29 Yoshikawa-cho, Hakodate, Hokkaido, 040-0077, JAPAN
TEL: +81-138-41-4410 FAX: +81-138-41-2867

Oohata Branch

187 Minato-mura, Oohata, Mutsu-Aomori, 039-4401, JAPAN
TEL: +81-175-34-4400 FAX: +81-175-34-4400

Hachinohe Sales Branch

3-8-14 Shinminato, Hachinohe, Aomori, 031-0811, JAPAN
TEL: +81-178-34-6134 FAX: +81-178-34-6106

Ogi Office

18-70-2 Ogi, Noto-Machi, Housu-Gun, Ishikawa, 927-0553, JAPAN
TEL: 0768-74-1138 FAX: 0768-74-1138

Oshamanbe Sales Branch

6-14 Oohama, Oshamanbe, Yamakoshi-Gun, Hokkaido, 049-3511, JAPAN
TEL : 01377-2-5886 FAX : 01377-2-3282

Agency

※Please note that we may change the specification or the color for improvement without prior notice